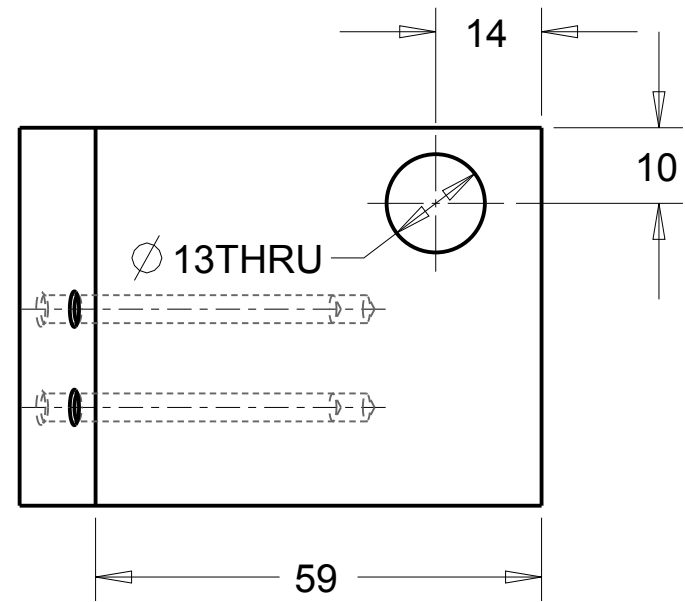
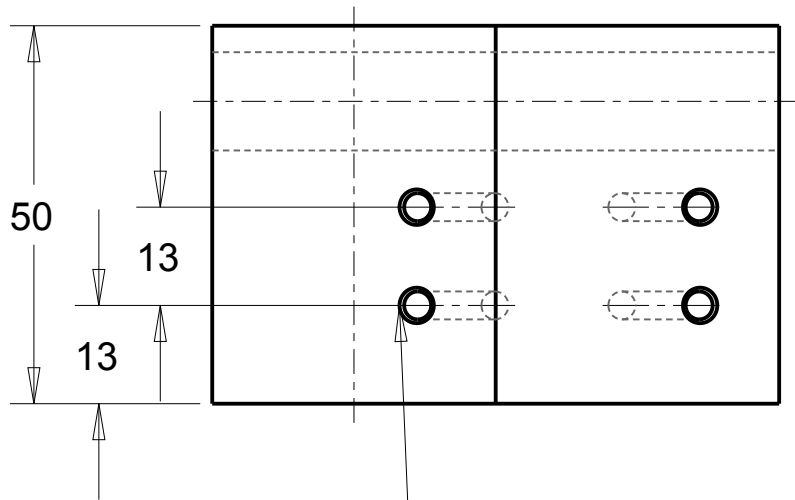
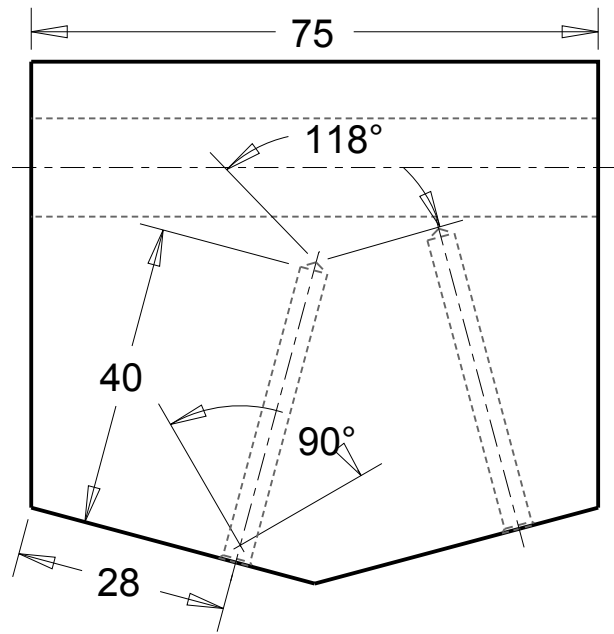


M4.5x.75 ISO - H TAP THRU
3.7 DRILL (3.700) ∇ 40.000 -(2) HOLE

UHMWPE Test Blocks with Offset Pilot Holes



M4.5x.75 ISO - H TAP THRU
3.7 DRILL (3.700) ∇ 40.000 -(2) HOLE